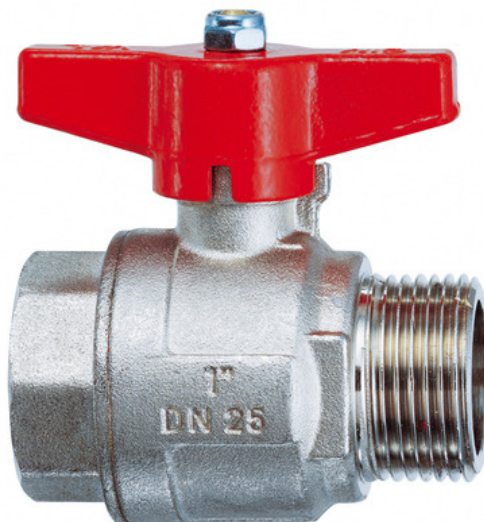


Cim 301/14

FULL BORE BALL VALVE - TYPE T14 - ALUMINIUM BUTTERFLY HANDLE - PN25



This article was made in compliance with the quality management requirements of standard ISO 9001:2008. All articles are tested according to the standard EN 12266-1:2003.

It can be used in a wide variety of sectors: heating, air conditioning, water, sanitary systems, pneumatic systems, oil pipelines, gasoline networks, saturated steam and generally with any non corrosive liquid.

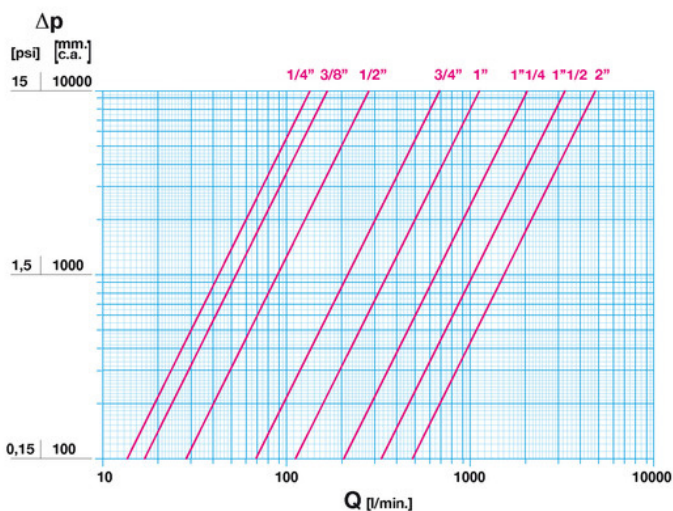
It is guaranteed for 5 years.

It is made of a brass alloy that complies with standard EN 12165-CW617N-M.

Nominal Pressure: PN25

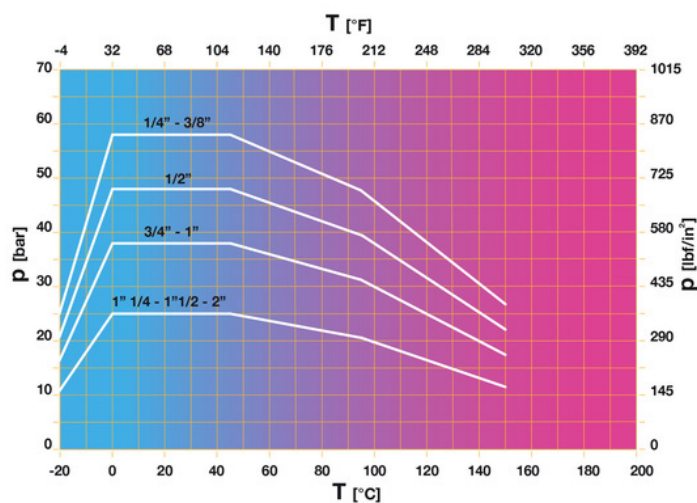
Operating temperature: $-20 \div 150^{\circ}\text{C}$

FLOW AND PRESSURE DROP



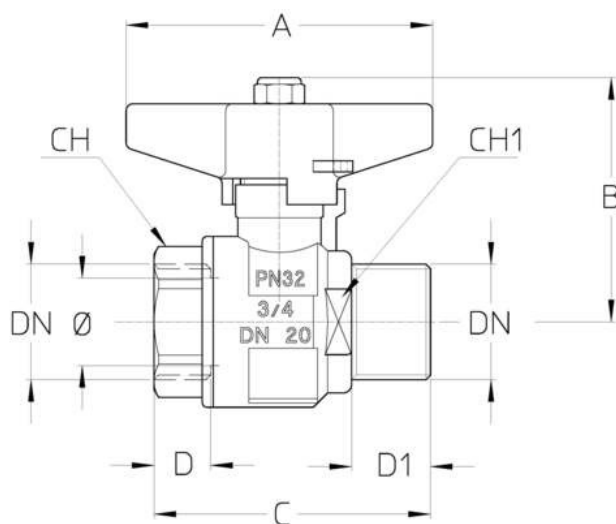
Notes:
 1 l/min = 0,06 m³/h
 1 m³/h = 16,67 l/min
 1 bar = 10.000 mm w.c.
 1 psi = 690 mm w.c.

PRESSURE TEMPERATURE RATINGS



Notes:
 1 bar = 14,5 psi
 1 bar = 14,5 lbf/in²
 $^{\circ}\text{C} = 5/9 \times (^{\circ}\text{F} - 32)$
 $^{\circ}\text{F} = 32 + (9/5 \times ^{\circ}\text{C})$

TECHNICAL DRAWING



DN	1/4"	3/8"	1/2"	3/4"	1"	1"1/4	1"1/2	2"
Ø mm	10	10	15	20	25	32	40	50
Grms.	110	110	205	330	490	800	1150	1740
A	43	43	50	70	70	85	100	100
B	36	36	52	56	60	73	89	96
C	46	47	56	63	73	86	100	118
D	11,5	12,5	12,5	12,5	14	17,5	18	20
D1	12,5	12,5	15,5	18	18,5	22	23	26
CH	18	20	25	31	38	47	54	66
CH1	20	20	24	32	40	47	55	69

Thread:
ISO 228

Upon request:
ANSI B.1.20.1 - NPT

TECHNICAL CHARACTERISTICS

KV CM CS MT								
DN	1/4"	3/8"	1/2"	3/4"	1"	1"1/4	1"1/2	2"
Ø mm	10	10	15	20	25	32	40	50
KV	8	10	17	41	68	123	198	290
CM	1	1	3	5	6	7	10	13
CS	2	2	6	10	12	14	20	26
MT	10	10	10	24	24	45	90	90

KV = Capacity in m³/h at pressure drop of 1 bar.

CM = Operating torque in Nm.

CS = Starting torque in Nm.

MT = Stem breaking torque in Nm.

OUR CERTIFICATIONS

